

BEFORE BEGINNING YOUR INSTALLATION

Read through the instruction guide before getting started with the installation. Professional installation is recommended for this product.



CONTENTS

- Dual Trumpet Marine Grade Stainless Steel Horn (White)
- Mounting Hardware

The specific voltage requirement for this horn is 12 volt DC, therefore installation must be done to a DC power source of 12 volts.

SAFETY INSTRUCTIONS

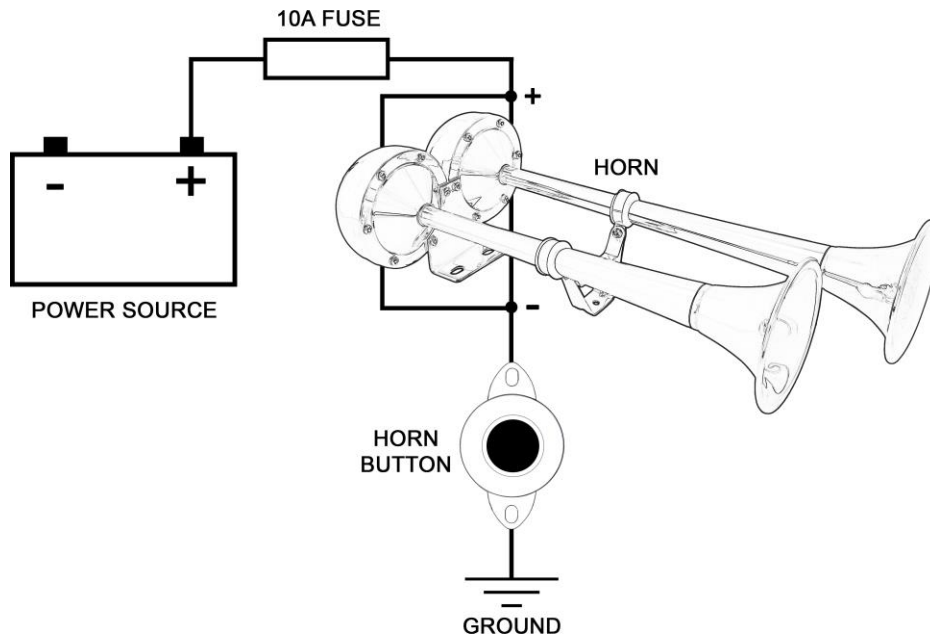
- Avoid dismantling this horn's electrical elements.
- Avoid setting up any parts of the horn where there is a risk of falling off or risk of coming in contact with water.
- Avoid reaching out to touch or pick up any fallen or water submerged parts.
- Set the horn up for use only in areas with adequate ventilation.
- Avoid sounding the air horn when in close range to your ear(s) or the ear(s) of others.
- Make sure your battery ground is detached before getting your installation started.
- Employ equipment for eye protection during drilling operations.

MOUNTING

- Once you have found a clear space to attach the horn, mark the holes using the provided horn mount and bracket. Ensure the bracket is moved forward so it is tight, then drill the holes.
- If the horn wire is to be run through the mounting area, mark and drill the wire holes.
- **NOTE:** Be careful to avoid sharp ends which could damage the horn's wire. Using silicon or waterproof sealant on the wire (by its passage point) is suggested if you are attaching to the roof.
- Attach the horn with the included hardware. Screws should be uniformly tightened.
- **NOTE:** To prevent exposure to water, always use the rubber gaskets which are included.

ELECTRICAL CONNECTIONS (OPTIONAL HORN BUTTON)

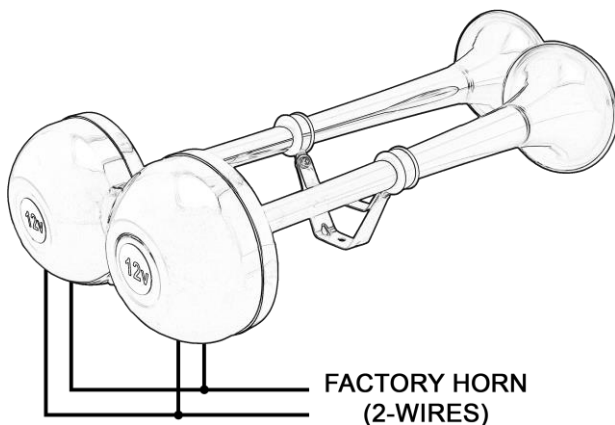
- Using a 10A inline fuse (not provided), connect together both positive wires (RED) from each trumpet and attach it to the (+) 12-volt positive power source of your vehicle.
- Connect together both negative wires (BLACK) from each trumpet and attach it to one of the terminals of the horn button.
- The remaining horn button's terminal should be attach to ground (clean metal surface).



ELECTRICAL CONNECTIONS (FACTORY HORN BUTTON)

TWO WIRE CONNECTION

- Remove the wires from your factory horn and attach each wire to one of the horns.



ONE WIRE CONNECTION

- Detach the wire from your factory horn and attach it to one wire from each of the two horns.
- The second wire from each of the horns should be attached to the ground (clean metal surface).

